

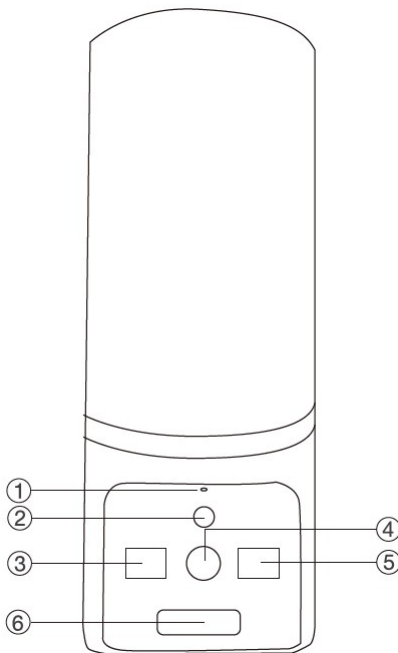
DK-WL1-TUY

Tuya WiFi DVR camera



Product description

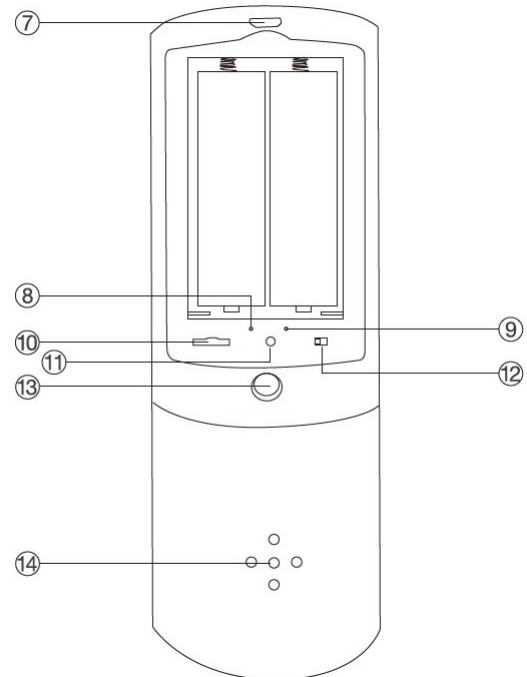
DK-WL1-TUY is a video recorder equipped with an integrated camera hidden in an emergency lamp that can be mounted on the wall or placed on a surface.



- 1. Microphone
- 2. Brightness sensor
- 3. Invisible infrared illuminator
- 4. Objective
- 5. Invisible infrared illuminator
- 6. PIR presence detector

Access the battery compartment

To access the internal battery compartment, rotate the mounting base clockwise until it is released from the sensor



- 7. microUSB port for charging power supply
- 8. WiFi status indicator
Flashing blue = Waiting for wifi configuration
Solid blue = Wifi connected
- 9. Charging indicator (solid red while charging | off when fully charged).
- 10. Slot for micro SD card
- 11. Reset button (press 8 sec.)
- 12. Camera power selector
- 13. Thread for wall bracket included
- 14. Speaker

Diet

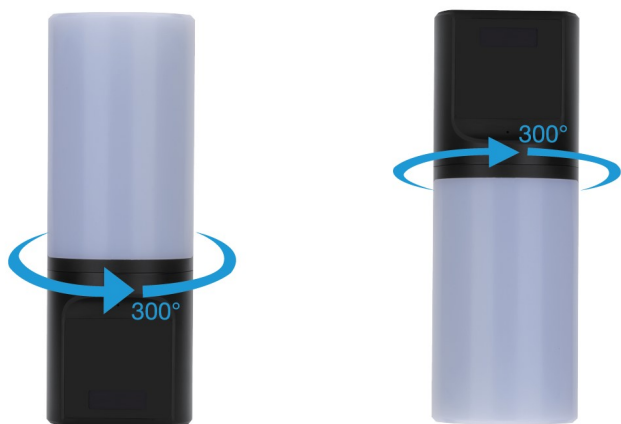
The camera is able to operate solely on its own internal 2.6Ah battery which allows approximately 4 hours of battery life. For greater autonomy you can also insert an additional 18650 battery with cap on the positive (not supplied).

The battery is recharged by connecting a USB power supply (included) with the cable provided. The charging LED (9) lights up red during charging and turns off when charging is complete. Full charging takes approximately 6 hours. It is advisable to place the camera switch in the OFF position during charging.

The DVR can also operate powered by the mains, with the 220V/USB power supply always connected and the camera switch set to ON. In this case you keep the USB cable connected even during operation and the camera has unlimited autonomy.

Assembly

DK-WL1-TUY is an investigative camera but it is also an emergency lamp that can be turned on when it is dark if someone passes by. It can be mounted on the wall, with the included bracket, or placed on a table, flipping the image from the app.



The camera is motorized and can rotate from right to left according to commands via the app.

Storing videos

Video files are stored on a micro SD card (not supplied). The videos have Full HD 1920x1080 resolution at 25 f/sec.

It is possible to use micro SD of any brand up to 128 GB capacity.

Obviously we recommend using motion detection recording, where possible, so as to only record significant images and not needlessly occupy memory when no action is taking place in front of the lens.

Once the memory space runs out, the DVR automatically overwrites the oldest files.

It should be noted that the Tuya system does not allow you to explore the files stored on the SD card. To save video files you need to play the videos from the app and record them during playback.

ATTENTION: It is not possible to download the files via the DVR's USB cable because this is only used to recharge/power the device.

Inserting the micro SD card

The first thing to do, if you want to make recordings, is to insert the micro SD card into the appropriate slot in the DVR (10) which can be accessed by removing the rear door.

It is possible to use micro SD cards with capacities up to **128 GB in CLASS 10** or higher.

A class 10 SD card has a writing speed of 10 MB/s. Do not use SD cards with slower speeds as they would cause malfunctions.

Pay attention to the direction of insertion of the SD card which will slide into its seat only respecting the shape next to the slot.

No micro SD card is included in the package.

Battery charging

Before using the appliance it is advisable to fully recharge the battery. To do this, first you must remove any plastic protection that isolates the battery. Then connect the DVR's USB port to your computer or USB charger with the supplied cable. Full charging takes approximately 6 hours depending on the initial state of charge. It is advisable to comfortably leave the charging to complete overnight.

There is a red LED that lights up during charging and turns off when charging is complete.

Turning on the device

DK-WL1-TUY is equipped with a power switch on the back (8). If you keep this switch OFF, the appliance is turned off and can only be charged. Turn the switch to ON to turn on. When turned on, the DVR lights up a blue LED (11) which signals the WiFi status (flashing = not connected to WiFi, steady = connected to WiFi network and app).

To use the product you need to connect the camera to your wifi network, using a smartphone or tablet with the SmartLife or Tuya smart app.

Download the Tuya app and set up wifi

DK-WL1-TUY was developed to be controlled remotely via wifi with a mobile phone or tablet.

First you need to download the application from Google Play or Apple Store **SmartLife or Tuya Smart**, available for free for Android and iOS. The two apps are equivalent

For using the app see [the specific manual](#).

IR illumination

DK-WL1-TUY is equipped with invisible infrared illuminators with a range of approximately 10 meters. They turn on and off automatically when the ambient light is not sufficient for color shooting. Infrared imaging is monochromatic.

Audio

DK-WL1-TUY is equipped with a microphone for listening to the environment and a speaker for two-way dialogue through the app

Reset the DVR

If necessary, you can carry out a RESET by pressing the reset button (9) for 8 seconds until a dingdong sound is played. After rebooting, which takes about 30 seconds, the DVR will return to factory settings, with the blue LED flashing waiting for wifi configuration. If you had added the camera to the Tuya SmartLife app, after the reset, you will need to delete the device in the app and reconfigure it as new.

Emergency lamp

DK-WL1-TUY is a camera, but also a real emergency lamp that gives excellent light. The lamp light is enabled via app. Once enabled, the lamp will turn on for 1 minute if, when it is dark, the PIR detector detects a human presence.

Main technical characteristics

Sensor	CMOS
Maximum resolution	FullHD 1080p (1920x1080)
Frame rate	30 f/sec
Video format	Tuya
Photo format	Tuya
Overlay	Date time (excludable)
Functions	Continuous recording Motion recording Timer recording Live viewing only
Audio microphone	Incorporated
Audio speaker	Incorporated
IR illuminator	Invisible 6 m.
Temperature operation	Of - 5° +40°C
Memory	MicroSD Class 10 or higher
Memory capacity	4..128GB